

CUNO Models ZVS & ZMS Sanitary Filter Housings



CUNO sanitary style ZVS and ZMS filter housings are designed for critical clarification and sterile filtration applications. Manufactured to the strictest of quality standards and from the highest quality materials, the ZVS and ZMS filter housings meet the exacting requirements of the pharmaceutical, biotechnology, food & beverage and micro-electronics industries. ZVS and ZMS filter housings are designed for liquid or gas service and can easily be cleaned-in-place (CIP), steamed-in-place (SIP), or hot water sanitized.

The 316L stainless steel in-line ZVS series and T-line ZMS series accept one CUNO 70002 style filter element (double 226 o-rings with bayonet locking tabs) in 10", 20", 30", or 40" length. All ZVS and ZMS filter housings are equipped with ½ inch sanitary vent and drain ports; vent and drain valves are available as optional accessories. Model ZMS is also equipped with a 1½ inch sanitary gauge port. The inlet and outlet connections are 1½ inch sanitary fittings for the ZVS model and 1 inch sanitary for the ZMS model.

ZVS and ZMS housings offer the highest quality electro-polished surface finish for ease of cleaning. Wetted surfaces are further electropolished to a 10 microinch Ra surface finish to limit bacterial and particulate adhesion.

An improved bayonet cartridge interlock design allows easy cleaning, and a positive locking retention mechanism secures the filter cartridge even during back pressure surges. A 316L stainless steel clamp secures the housing base and dome permitting rapid filter changeouts. Each filter housing is hydrostatically tested to ensure long term efficient operation even in the most demanding environment. All housings are supplied with silicone gaskets that comply with CFR 21 requirements for direct food and drug contact.

Ordering Guide		
Filter Model	Description	Part Number
1ZMS1	10" filter sanitary T-line housing	7062801
1ZMS2	20" filter sanitary T-line housing	7062802
1ZMS3	30" filter sanitary T-line housing	7062803
1ZMS4	40" filter sanitary T-line housing	7062804
1ZVS1	10" filter sanitary in-line housing	7062701
1ZVS2	20" filter sanitary in-line housing	7062702
1ZVS3	30" filter sanitary in-line housing	7062703
1ZVS4	40" filter sanitary in-line housing	7062704
N/A	½ sanitary:8mm barb vent/drain diaphragm valve	6431131

Features	Benefits
◆ 316L stainless steel construction	◆ Maximum corrosion resistance ensures long term service
◆ High quality surface finish (10 microinch R internal)	◆ Minimum bacterial/particulate adhesion
◆ Housings accommodate one 10", 20", 30", or 40" filter cartridge	◆ Suitable for small to intermediate product batches and tank vent applications
◆ Accepts CUNO 70002 sanitary style double o-ring bayonet lock cartridge	◆ Cartridge locks into place assuring secure installation even under back pressure conditions
◆ Sanitary design vent and drain (optional drain valves available).	◆ Easy to clean, no cross contamination, no threaded parts in contact with process fluids
◆ Clean-in-Place (CIP) / Steam-in-Place (SIP) Design	◆ Permits easy cleaning, sterilization or sanitization in place (<i>in-situ</i>)
◆ Designed to minimize product holdup volume	◆ Enables maximum recovery of product

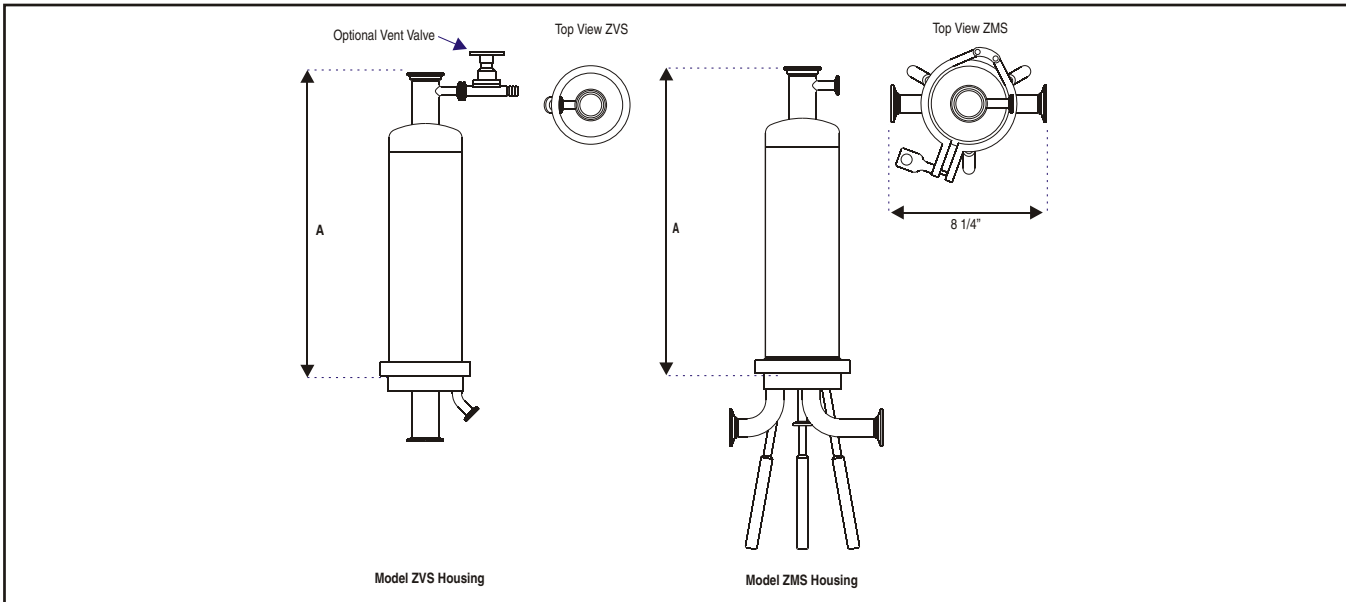


FIGURE 1. - MODELS ZVS (left) and ZMS (right) FILTER HOUSING DIMENSIONS

Specifications	
Connections	
Inlet/Outlet	ZMS 1 inch sanitary fitting
	ZVS 1 1/2 inch sanitary fitting
Gauge Port (ZMS T-line only)	1 1/2 inch sanitary fitting
Filter Cartridge Style	CUNO 70002 style (Code 7, double 226 O-ring with bayonet locking tabs)
Shipping Weight	
1ZVS1 / 1ZMS1	11 lbs.
1ZVS2 / 1ZMS2	16 lbs.
1ZVS3 / 1ZMS3	22 lbs.
1ZVS4 / 1ZMS4	28 lbs.
Maximum Allowable Working Pressure	150 psig (10.3 Bar)
Maximum Temperature	212°F (100°C)
Sterilization / Sanitization	
In-situ steam sterilization	30 minutes at 250°F (121°C)
Hot water sanitization	30 minutes at 176°F (80°C)
Dimensions (See Figure 1)	
	A
1ZVS1 / 1ZMS1	16"
1ZVS2 / 1ZMS2	26"
1ZVS3 / 1ZMS3	36"
1ZVS4 / 1ZMS4	46"

Important Notice

CUNO MAKES NO WARRANTIES, EXPRESS OR IMPLIED, INCLUDING, BUT NOT LIMITED TO, ANY IMPLIED WARRANTY OF MERCHANTABILITY OR FITNESS FOR A PARTICULAR PURPOSE. Since a variety of factors can affect the use and performance of a CUNO product in a particular application, some of which are uniquely within the user's knowledge and control, user is responsible for determining whether or not the CUNO product is fit for a particular purpose and suitable for user's method of application.

Limitation of Remedies and Liability

If the CUNO product is proved to be defective, THE EXCLUSIVE REMEDY, AT CUNO'S OPTION, SHALL BE TO REFUND THE PURCHASE PRICE OR TO REPAIR OR REPLACE THE DEFECTIVE PRODUCT. CUNO shall not otherwise be liable for loss or damages, whether direct, indirect, special, incidental or consequential, regardless of the legal theory asserted, including, but not limited to, contract, negligence, warranty or strict liability.

WARRANTY

Seller warrants its equipment against defects in workmanship and material for a period of 12 months from date of shipment from the factory under normal use and service and otherwise when such equipment is used in accordance with instructions furnished by Seller and for purposes disclosed in writing at the time of purchase, if any. Any unauthorized alteration or modification of the equipment by Buyer will void this warranty. Seller's liability under this warranty shall be limited to the replacement or repair, F.O.B., point of manufacture, of any defective equipment or part which, having been returned to the factory, transportation charges prepaid, has been inspected and determined by Seller to be defective. THIS WARRANTY IS IN LIEU OF ANY OTHER WARRANTY, EITHER EXPRESSED OR IMPLIED, AS TO DESCRIPTION, QUALITY, MERCHANTABILITY, FITNESS FOR ANY PARTICULAR PURPOSE OR USE, OR ANY OTHER MATTER. Under no circumstances shall Seller be liable to Buyer or any third party for any loss of profits or other direct or indirect costs, expenses, losses or consequential damages arising out of or as a result of any defects in or failure of its products or any part or parts thereof or arising out of or as a result of parts or components incorporated in Seller's equipment but not supplied by the Seller.



a 3M company

CUNO Incorporated

400 Research Parkway
Meriden, CT 06450, U.S.A.

Tel: (800) 243-6894

(203) 237-5541

Fax: (203) 630-4530

www.cuno.com

70020188838

LITZRH104.0808